


PRODUCT SHEET

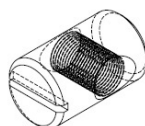
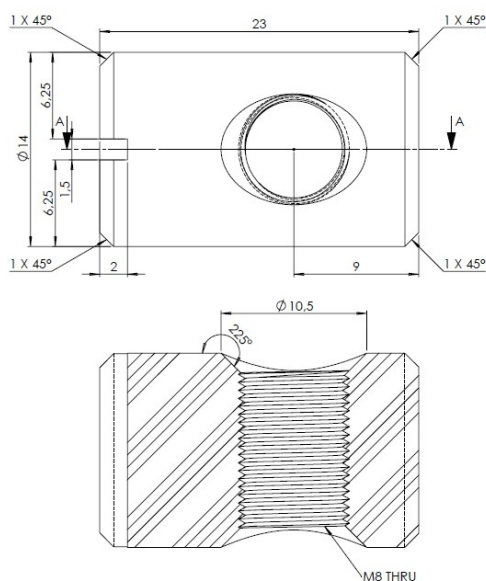
Description:

Cross Dowel $\varnothing 14 \times 23 \text{mm} (14+9)$, M8, Steel, Bright Zinc Plated

Item number:

12.07.367-0

Units	Box	Carton	HS Code	Barcode
Pcs.	1	1000	7318190090	
				5704866023436



SISO A/S

Mileparken 11
DK-2740 Skovlunde
Denmark
VAT: DK 24786013

Phone +45 45 830 900

www.siso.dk
siso@siso.dk

Danske Bank
Nytorv Branch
Copenhagen
SWIFT: DABADKKK

Account no.
4180 3112 112936
IBAN Account
DK7230003112112936